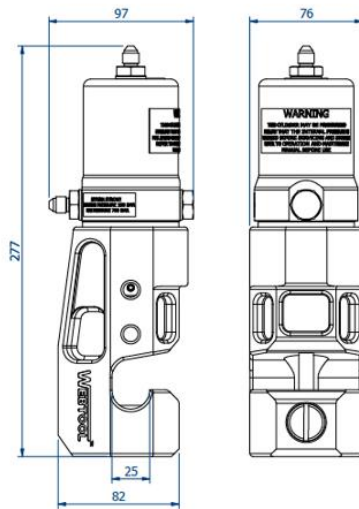


WEBTOOL Wire Rope Cutter 22mm



The WEBTOOL wire rope cutter WCO22D is designed for cutting medium diameter wire rope up to 22mm diameter in the most hostile environments, under the toughest of conditions. The wire rope cutter has an open sided design to allow easy positioning of the cutter along a rope length, which is particularly useful when cutting in confined spaces. It is supplied with hydraulic return ensuring full retraction of the blade.

Key Features

- Proven design
- Designed to cut wire rope up to 22mm diameter
- Open sided to allow easy positioning of the cutter along a rope length
- Particularly useful when cutting in confined spaces.
- Hydraulic return

Specifications

| | |
|--------------------|------------|
| Wire Diameter | 22 mm |
| Dimensions | See Figure |
| Weight | 7.15 kg |
| Operating Pressure | 700 bar |

Capabilities

| | | |
|-----------------------------------|-------|------|
| Wire Rope Size | 13 mm | 19mm |
| Wire Rope Grade N/mm ² | 1960 | 1770 |