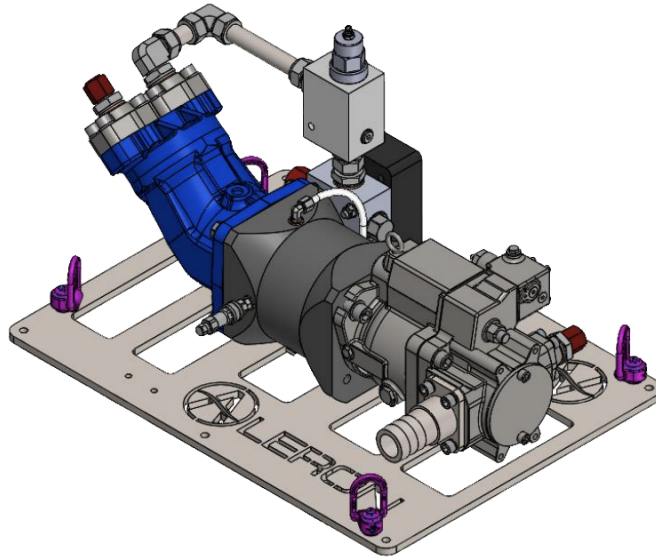


Min Dirty Work Pack

RQ-193 – 200L



The 200 L/min Dirty Work Pack (RQ-193) is designed to protect the hydraulic circuit of the ROV against external contamination during fluid transfer operations. It utilises a hydraulic motor powered by the ROV hydraulic circuit to drive a pump which supplies the delivery fluid from an external compensated reservoir. This configuration isolates the ROV hydraulic circuit from the delivery fluid circuit and therefore prevents the ingress of contaminants from the external equipment or seawater into the ROV circuit.

The input of the hydraulic motor is controlled by a Flow Control Valve and a Pilot Operated Check Valve vehicle. The hydraulic motor drives the delivery fluid pump via a driveshaft. The delivery fluid is to be stored in a spring compensated reservoir. The delivery fluid is supplied at a working pressure of 3000 psi at a flow rate of up to 180 L/min.

Key Features

- Easy to source reliable motor and pump.
- Efficient output ratio.
- Protects ROV circuit from contamination.

Specifications

Weight in Air	120 Kg
Dimensions	L820 x W555 x H420mm
Suitable Media	Hydraulic Oil
Max Input Pressure	275 Bar (4000 PSI)
Input Flow	70 to 180 L/min
Max Output Pressure	210 Bar (3000 PSI)
Output Flow	50 to 200 L/min

Hydraulic Connections

Pressure	16 JIC
Return	12 JIC
Output	12 JIC
Suction	2" Hose