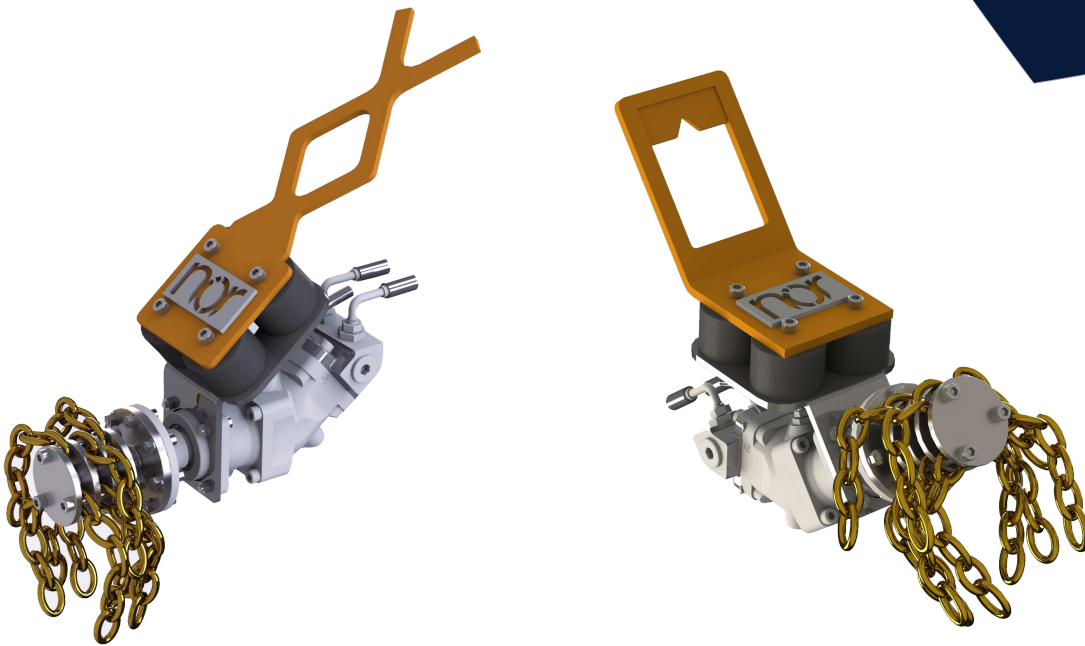


NOR Chain Flain Cleaning Tool



The NOR Chain Flain tool is designed for heavy duty cleaning work of marine growth, this is a powerful and robust tool which can be supplied with brass or steel chain links. Tool has anti shock mounting points which will help to not damage manipulators during operation.

Specifications

Weight in air	22kg
Manipulator handle	Fishtail or Atlas/Rigmaster
Pressure range	70-207 bar
Flow range	5-50 lpm
Hose length	4.0m
Hydraulic connections	2x JIC 8 and 1x JIC 4