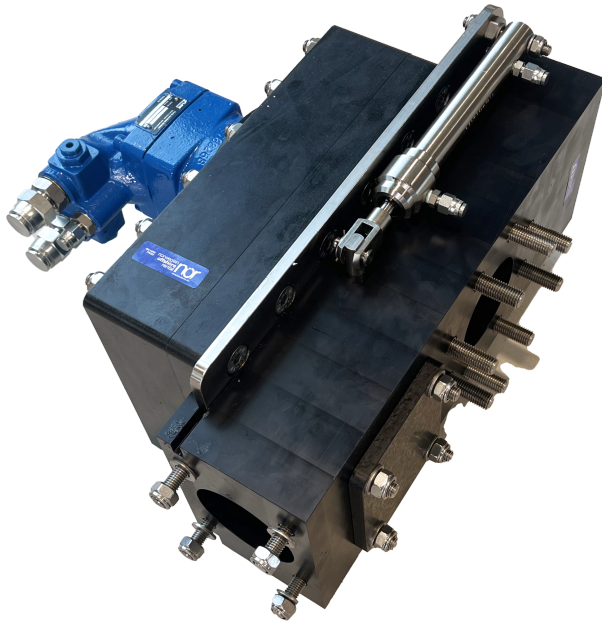
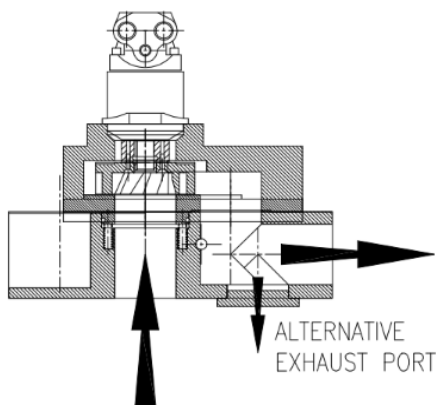


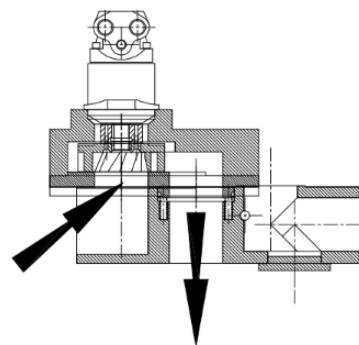
AMITS Anchor Zip 20



The AZ20 Suction Anchor Pump is a compact hydraulic unit configured to work from modern high power Work class ROVs. The construction of the pump makes maximum use of modern engineering plastics to minimise both the “in air” and “in water” weights. The pump body is configured to be its own sliding directional valve so that suction or positive pressure can be applied to the pile as required. This permits a single stab connection to the pile and removes the need for directional control pipework and valves to be added to the ROV skid. Directional control is achieved by two linear hydraulic actuator cylinders.

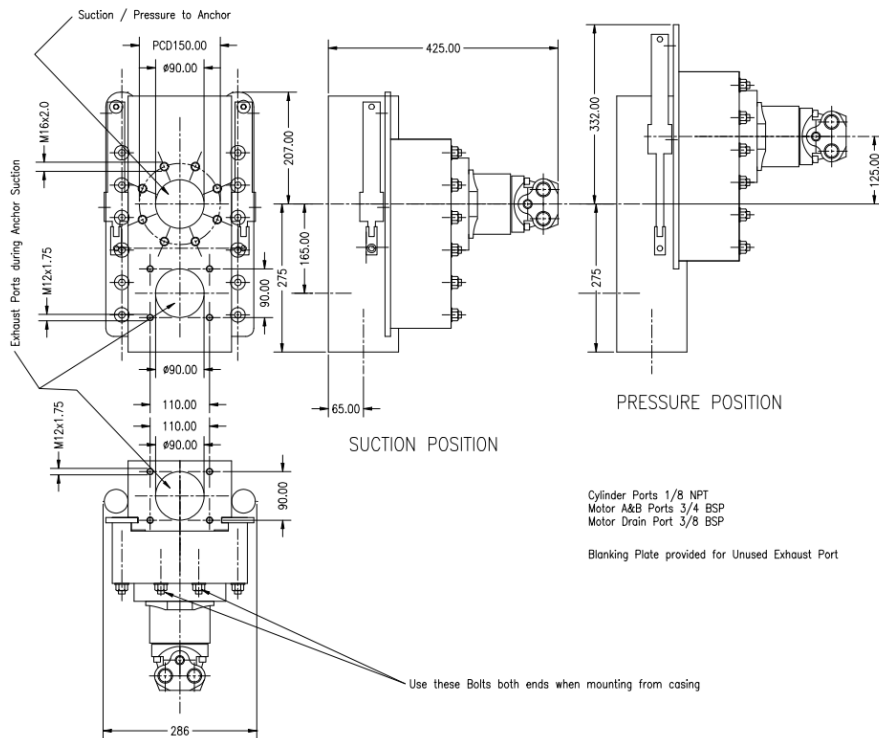


PILE SUCTION POSITION



PILE PRESSURISATION POSITION

The pump body exhaust ports permit an exhaust hose to be connected to allow dirty water from inside the pile to be discharged away from the ROV to preserve camera visibility.



The installation envelope profile is given below and include the profiles in both pile suction and pile pressurisation positions.

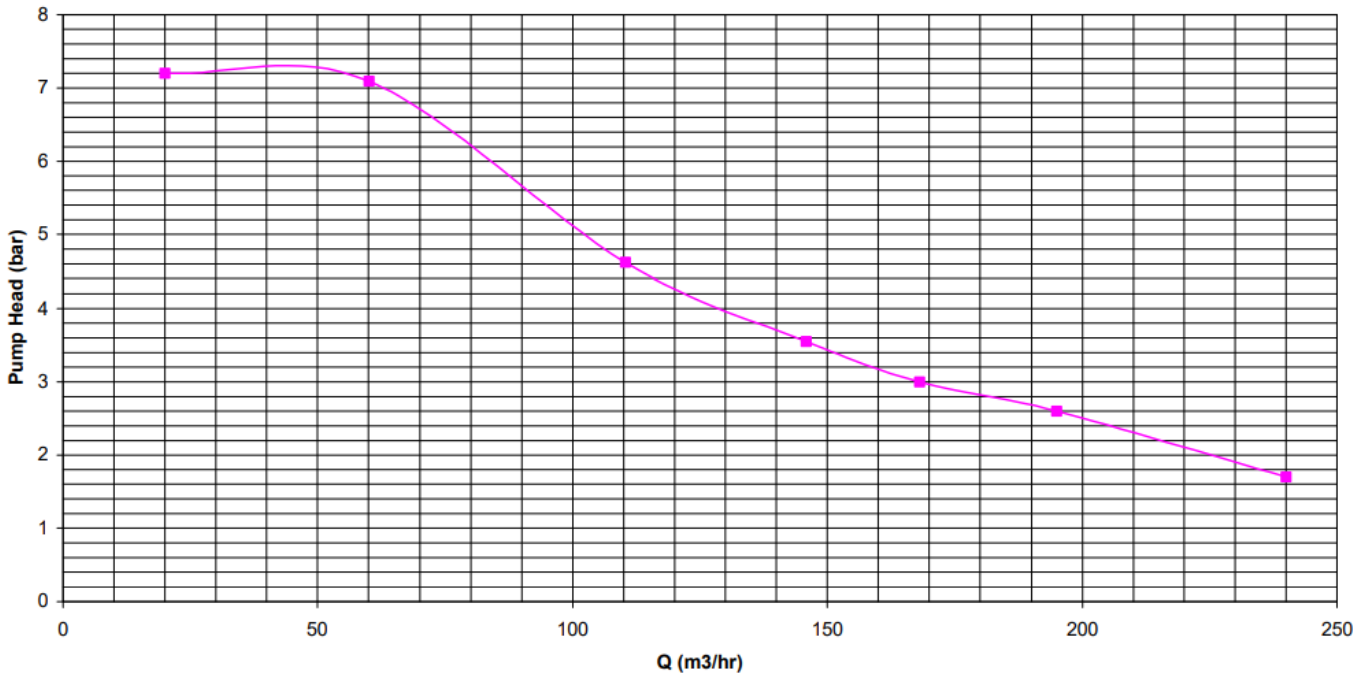
Specifications

Motor A&B	3/4" BSP - 12JIC
Motor Drain	3/8" BSP – 6JIC
Valve Actuator	1/8" NPT – 4JIC
Flow	60 to 145 l/min
Pressure	Max 250 bar
Water Flow up to	185 m ³ /hr at 5 bar
Pressure suction up to	9 bar at 10 m ³ /hr
Note	Controlled by hydraulic flow/pressure
Dimensions	485mm x 425mm x 286mm
In air weight	38 kg
In water weight	21 kg

Nominal Performance

The pump can operate with hydraulic supplies from 60 l/min up to 145 l/min with pressures up to 250 bar. The higher the flow rate the higher the performance. The pump is controlled down from max performance to match pile setting parameters by controlling the hydraulic supply. For information purposes the graph below gives a performance curve for an intermediate hydraulic supply of 95 l/min at 200 bar.

AZ20 Performance
95 l/min 200 bar supply
145-166 Impeller



Optimization

There are a range of impellers available to permit the pump to be configured for optimum performance on any given ROV for particular pile setting parameters. The configuration should be confirmed at time of order. The maximum performance depends upon the maximum hydraulic flow and pressure available from the ROV and the pump impeller configuration.