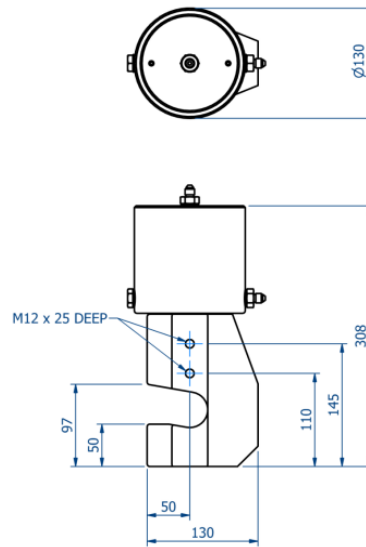
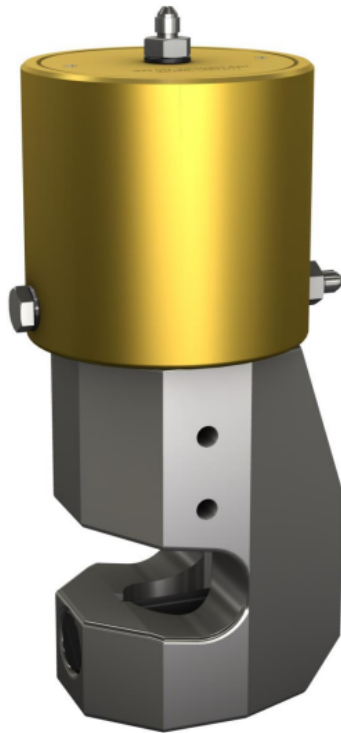


WIRE ROPE CUTTER



Heavy duty wire rope cutter designed for use in severe working conditions. Open sided design allows for easy positioning of the cutter on the cable. Standard tool is shown above. Bespoke and custom designs to suit special applications are available on request.

Key Features

- Corrosion resistant stainless steel construction
- Long blade life ensures that tool maintenance is kept to a minimum
- Ideal for operation in confined spaces
- Low pressure cylinder removes the need for an intensifier panel
- Can be used at any water depth
- Suitable for cutting wire rope, cables and umbilicals

Specifications

Cutting capacity	Maximum Ø38mm wire rope of 1770N/mm ² grade
Approx weight	20.5kg
Maximum input pressure	220 bar

Wire rope size

1/2" 13mm	2160
3/4" 19mm	2160
1" 25mm	1960
1.1875 30mm	1770
1.5" 38mm	1770