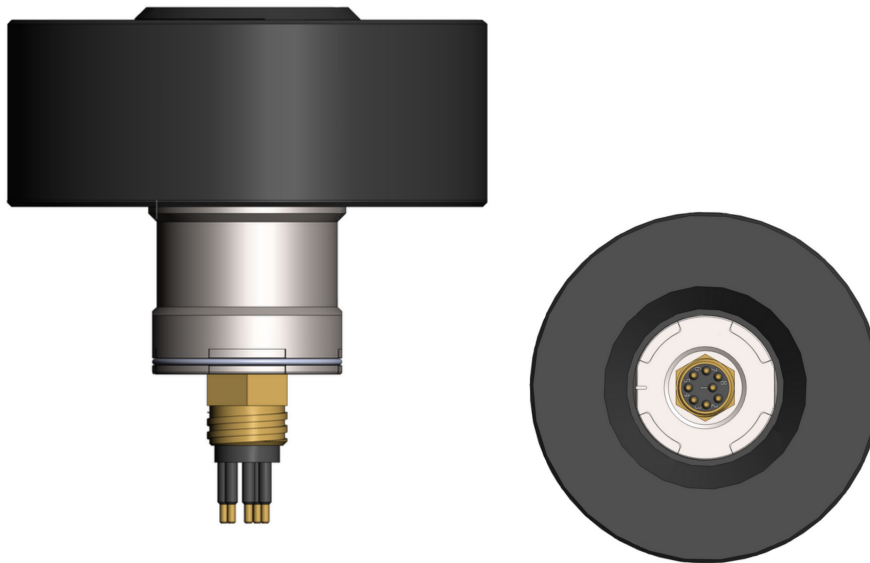


ISS360HD Sonar Imaging



Impact Subsea are proud to present the high resolution imaging sonar - the ISS360HD. Optionally available with integrated Pitch & Roll. Utilising a broadband composite transducer together with an advanced digital acoustic engine provides excellent range capability and image clarity. For applications where Sonar Imaging, Pitch & Roll are required; all can be provided from a single device. The use of Compressed High Intensity Radar Pulse (CHIRP) acoustic signalling enables a significant increase in range resolution while maintaining an excellent range capability.

Key Features

- Long range imaging
- Ideal for shallow and deep water
- Provides Pitch & Roll to 0.2° accuracy
- Highly compact high resolution imaging sonar
- Excellent image quality & range
- No components to wear

Specifications

| | |
|-------------------------|--|
| Frequency | 750kHz Centre 600 to 900kHz Bandwidth |
| Range | 0.45 to 100 meters |
| Resolution | 2.5mm at low ranges |
| Beam Angle | 30° Vertical at 700kHz / 1° Horizontal at 700kHz |
| Signalling | CHIRP & CW |
| Step Size (selectable) | 0.225°, 0.45°, 0.9°, 1.8°, 3.6° & 7.2° |
| Scan Angle (selectable) | 360° Continuous or Sector Scan |

| | |
|--|-------------------------|
| Depth Rating | 6,000m |
| Temperature (operating) | -10 to 40°C |
| Temperature (storage) | -20 to 60°C |
| Connector (other options available) | Subconn MCBH8M-SS |
| Weight (air) | 0.76 kg |
| Weight (fresh water) | 0.3kg |
| Pitch | ± 90° |
| Roll | ± 180° |
| Accuracy | 0.2° |
| Resolution | 0.1° |
| Digital | RS232, RS485 & Ethernet |
| Protocol | 9600 to 115,200 baud |
| Input Voltage | 12 to 65V DC |
| Power (standby) | 110mA @ 24V DC |
| Power (scanning) | 150mA @ 24V DC |