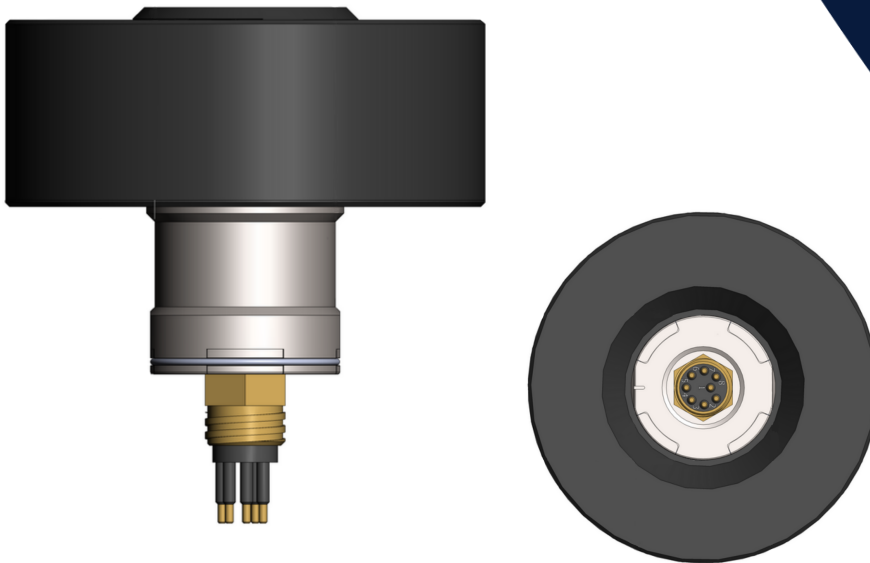


ISS360HD Sonar Imaging



Impact Subsea are proud to present the high resolution imaging sonar - the ISS360HD. Optionally available with integrated Pitch & Roll. Utilising a broadband composite transducer together with an advanced digital acoustic engine provides excellent range capability and image clarity. For applications where Sonar Imaging, Pitch & Roll are required; all can be provided from a single device. The use of Compressed High Intensity Radar Pulse (CHIRP) acoustic signalling enables a significant increase in range resolution while maintaining an excellent range capability.

Key Features

- Long range imaging
- Ideal for shallow and deep water
- Provides Pitch & Roll to 0.2° accuracy
- Highly compact high resolution imaging sonar
- Excellent image quality & range
- No components to wear

Specifications

Frequency	750kHz Centre 600 to 900kHz Bandwidth
Range	0.45 to 100 meters
Resolution	2.5mm at low ranges
Beam Angle	30° Vertical at 700kHz / 1° Horizontal at 700kHz
Signalling	CHIRP & CW
Step Size (selectable)	0.225°, 0.45°, 0.9°, 1.8°, 3.6° & 7.2°
Scan Angle (selectable)	360° Continuous or Sector Scan

Depth Rating	6,000m
Temperature (operating)	-10 to 40°C
Temperature (storage)	-20 to 60°C
Connector (other options available)	Subconn MCBH8M-SS
Weight (air)	0.76 kg
Weight (fresh water)	0.3kg
Pitch	± 90°
Roll	± 180°
Accuracy	0.2°
Resolution	0.1°
Digital	RS232, RS485 & Ethernet
Protocol	9600 to 115,200 baud
Input Voltage	12 to 65V DC
Power (standby)	110mA @ 24V DC
Power (scanning)	150mA @ 24V DC