

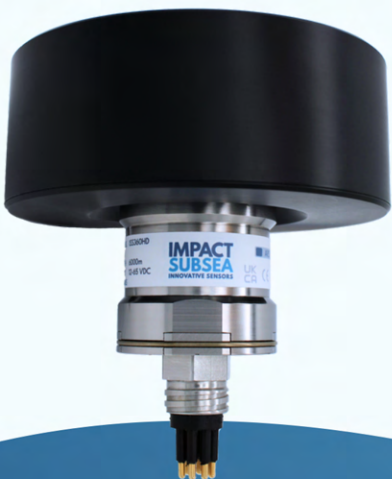
ISS360HD

HIGH PERFORMANCE IMAGING SONAR



FEATURES & BENEFITS

- > **100 METER RANGE**
Long range imaging.
- > **6,000M DEPTH RATING**
Ideal for shallow and deep water.
- > **PITCH & ROLL***
Provides Pitch and Roll to 0.2° accuracy.
- > **SMALL FORM FACTOR**
Highly compact high resolution imaging sonar.
- > **BROADBAND TRANSDUCER**
Excellent image quality & range.
- > **NO SLIP RINGS**
No components to wear.



Impact Subsea are proud to present the high resolution imaging sonar - the ISS360HD.

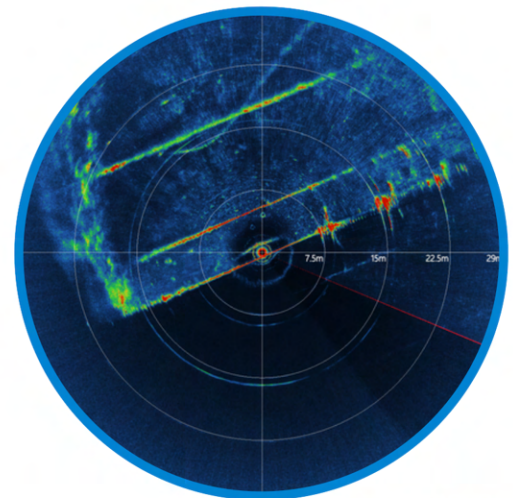
Optionally available with integrated Pitch & Roll.

Utilising a broadband composite transducer together with an advanced digital acoustic engine provides excellent range capability and image clarity.

For applications where Sonar Imaging, Pitch & Roll are required; all can be provided from a single device.

The use of Compressed High Intensity Radar Pulse (CHIRP) acoustic signalling enables a significant increase in range resolution while maintaining an excellent range capability.

Provided in a highly robust Titanium housing. The unit can be supplied without pitch and roll. Alternative configurations are available upon request.



APPLICATIONS INCLUDE:

ROV & AUV Navigation | Target Identification | Diver Navigation |
Port Surveillance | Motion Reference | Search & Recovery |

*Optional





ISS360HD

HIGH PERFORMANCE IMAGING SONAR

ACOUSTIC

Frequency	750kHz Centre 600 to 900kHz Bandwidth
Range	0.45 to 100 meters
Resolution	2.5mm (minimum)
Beam Angle	30° Vertical at 700kHz 1° Horizontal at 700kHz
Signalling Selectable	CHIRP & CW
Step Size Selectable	0.225°, 0.45°, 0.9°, 1.8°, 3.6° & 7.2°
Scan Angle	360° Continuous or Sector Scan

PHYSICAL

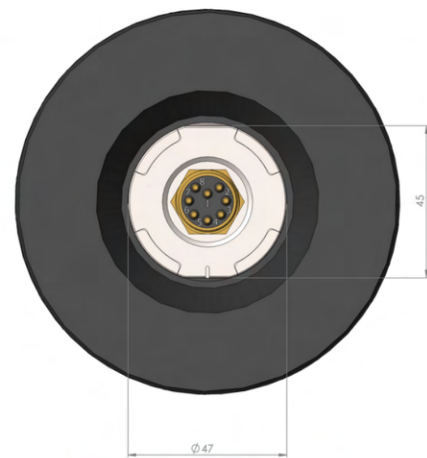
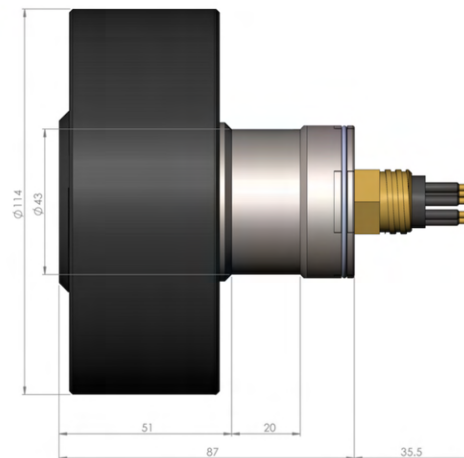
Depth Rating	6,000m
Temperature	-10 to 40°C Operating -20 to 60°C Storage
Connector	Subconn MCBH8M-SS <i>Other options available</i>
Weight <i>Air/Fresh water</i>	0.76/0.3kg

ATTITUDE*

Pitch	± 90°
Roll	± 180°
Accuracy	0.2°
Resolution	0.1°

COMMS & POWER

Digital Protocol	RS232, RS485 & Ethernet
Input Voltage	9600 to 115,200 baud
Power Standby	12 to 65V DC
Power Scanning ¹	84mA @ 24V DC 261mA @ 24V DC



Dimensions given in mm.

*Optional

¹ Based on maximum power level and scanning speed.