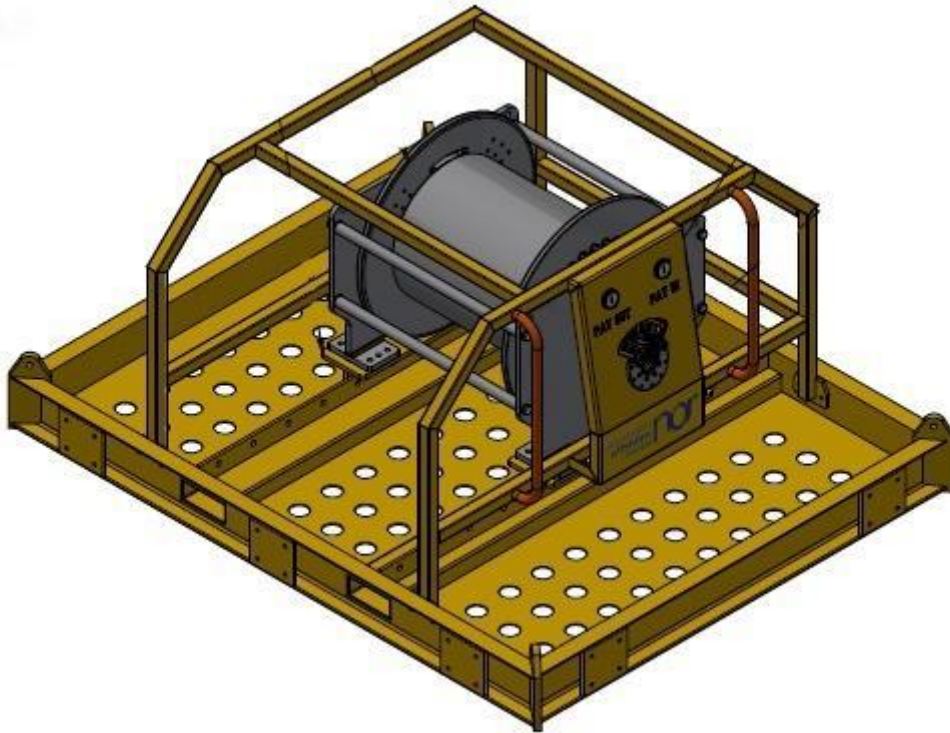


NOR Subsea Winch 10Te with Lifting Frame



The Subsea Winch 10Te is intended for offshore subsea pulling operations. It is designed to withstand rough operations in any offshore environment. The winch is operated locally and powered hydraulically from an external HPU, which is supplied by ROV. This is supplied on a certified lifting frame that can be delivered with mud skirts for placement on soft seabed.

Specifications

Hydraulic Connection	60 mm Valve Stab
Operating Pressure	226 bar
Max back pressure on return line	5 bar
Max back pressure on drain line	1.5 bar
Oil Flow	73 l/min
Rope speed on 1st layer	10 m/min
Rope speed on 2nd layer	10.8 m/min

Rope speed on 3rd layer	11.6 m/min
Rope speed on 4th layer	12.5 m/min
Drum Length	800 mm
Drum Flange Diameter	1000 mm
Rope Length	28mm (257meter at 4th layer)
Weight in Air	1680 kg (Winch only)
Weight with Frame (air)	2912 kg
Weight with Frame (water)	2537 kg
Length	3053 mm
Width	2422 mm
Height	1459 mm
Max Rope Pull	10 Te