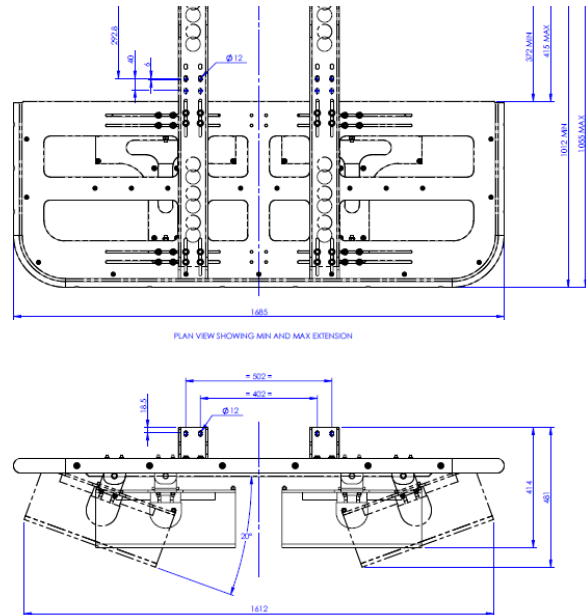
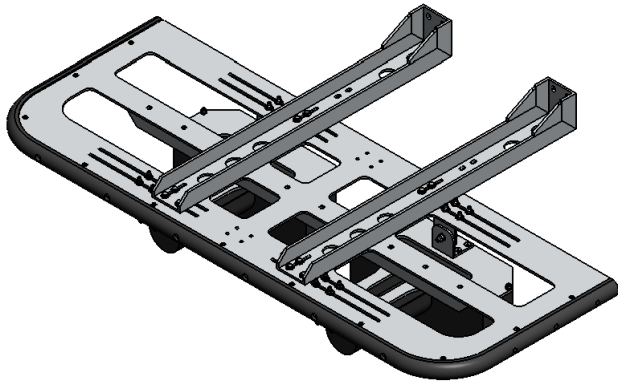


Multibeam Frame

HD & UHD3-R2 Sonic 2024



This is the Dual Head multibeam frame for Schilling HD and UHD 3. It is easy to integrate with R2 Sonic Brackets.

Specifications

Dimensions	1685 x 1012 x 414 mm
Weight in Air	67.5 kg
Weight in Water	23.5 kg