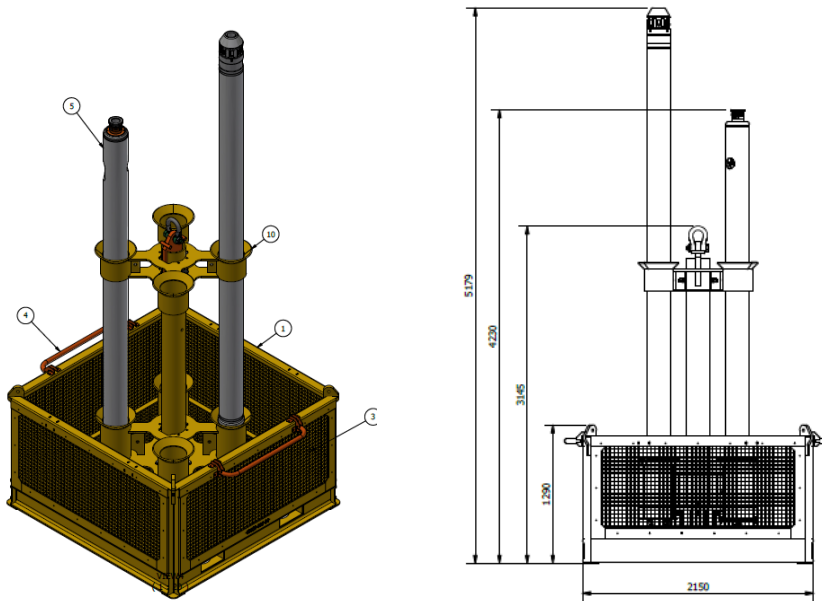


Guidepost/Extension Subsea Basket



Guidepost/extension basket is used for lifting guidepost safely to seabed and installing them on subsea assets. Center Pole basket can be re-modified to multipurpose basket with or without hatches.

Key Features

Certified DNGL-ST-E273
Forklift pockets
M4-L Extension & Top releasable guide post
Padeye suitable for 17te Green Pin Shackle

Specifications

Type	Lifting/transport
Model Basket	7 tonne
Material	Steel w/Norsok System 7
Inner dimensions (LxWxH)	1950 x 1950 x 990 mm
Outer dimensions (LxWxH)	2488 x 2256 x 1290 (3145*) mm
Weight in air	2700 kg
Weight in water	2322 kg
Payload	7000 kg
MGW	8300 kg