

ISS360

Compact Imaging Sonar



Impact Subsea is proud to present the most compact imaging sonar in the world - the ISS360. The ISS360 is optionally available with integrated Attitude & Reference System (ARS). Utilising a broadband composite transducer together with an advanced digital acoustic engine provides excellent range capability and image clarity. For applications where Sonar Imaging, Heading, Pitch & Roll are required; all can be provided from a single device. The ISS360 is provided in a highly robust Titanium housing. The unit can be supplied without the ARS.

Features

90 Meter Range

4,000m Depth Rating

Integrated ARS

Small Form Factor

Broadband Transducer

No Slip Rings

Benefits

Long Range Imaging

Ideal for Shallow and Deep Water

Provide Heading to $\pm 3^\circ$, Pitch & Roll to 0.2° Accuracy

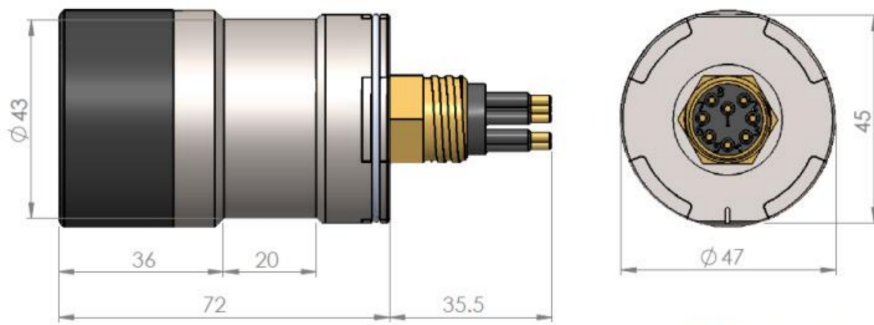
Smallest Imaging Sonar Available

Excellent Image Quality & Range

No Components to Wear

Applications

ROV & AUV Navigation
Target Identification
Search & Recovery
Motion Reference
Port Surveillance
Diver Navigation
Heading



All dimensions are in mm.

Specifications

Acoustic

Frequency	700kHz Centre 650 to 750kHz Standard Bandwidth
Range	0.15 to 90 meters
Range Resolution	7.5mm (100kHz CHIRP)
Beam Angle	23° Vertical at 700kHz 2.2° Horizontal at 700kHz
Signalling (Selectable)	CHIRP & CW
Step Size (Selectable)	0.225°, 0.45°, 0.9°, 1.8°, 3.6° & 7.2°
Scan Angle	360° Continuous or Sector Scan

Communications & Power

Digital	RS232, RS485 & Ethernet
Protocol	9600 to 115,200 baud
Input Voltage	12 to 65V DC
Power (Standby)	110mA @ 24V DC
Power (Scanning)*	150mA @ 24V DC

Heading

Accuracy	± 3°
Resolution	0.1°

Attitude

Pitch	± 90°
Roll	± 180°
Accuracy	0.2°
Resolution	0.1°

Physical

Weight (Air/Fresh Water)	0.38/0.3kg
Depth Rating	4,000m
Temperature	-10 to 40° operating -20 to 60° storage
Connector	Subconn MCBH8M-SS (other options available)

* Based on maximum power level and scanning speed
Specifications subject to change in line with product enhancements