

ISD4000 Depth & Temperature Sensor



Impact Subsea is proud to present the ground-breaking ISD4000 family of Depth Sensors. Compact, lightweight and highly robust, the ISD4000 is ideal for ROV, AUV and other underwater depth and temperature measurement applications with optional integrated Attitude & Heading Reference System (AHRS). The ISD4000 utilises the latest in sensing technology to provide a depth accuracy of $\pm 0.01\%$ FS and temperature accuracy to 0.01°C . With an optional integrated AHRS, the ISD4000 provides a clear understanding of the position of the sensor at all times – ideal for asset deployment monitoring. The ISD4000 is provided in a highly robust Titanium or Black Acetal housing. The unit can be provided without the AHRS. Alternative OEM configurations are available upon request.

Key Features

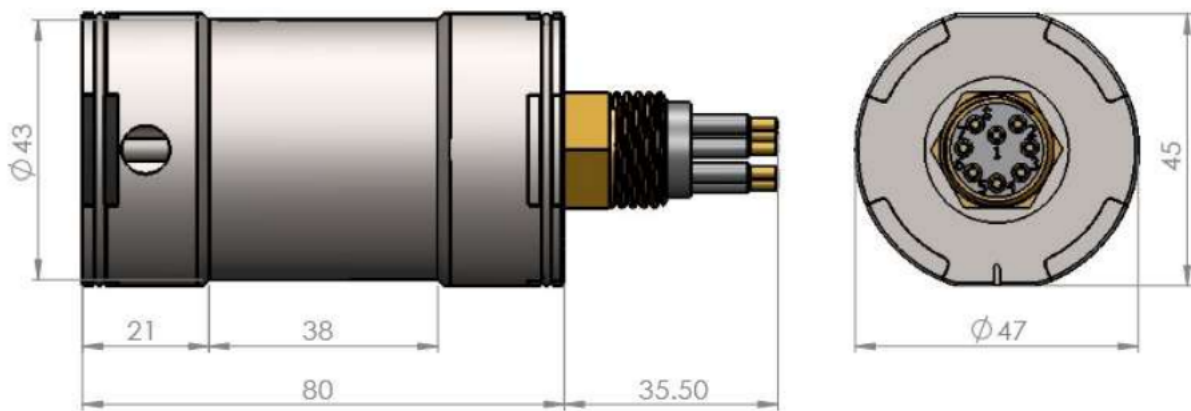
- $\pm 0.01\%$ FS Depth
- 0.01°C accuracy
- Heading*
- Pitch & roll*
- Maintenance free
- Titanium housing
- 0.005% FS optional accuracy

Benefits

- Survey grade depth sensor
- Survey grade temperature sensor
- Provides heading to $\pm 0.5^{\circ}$ of local magnetic north
- Pitch and Roll readings, provided to 0.2° accuracy
- Non-block pressure port
- Robust and long lasting

Applications

ROV & AUV Depth Sensor
Echosounder Surveys
Pipeline Surveys
Real Time Depth
Temperature Measurement
Motion Reference
Asset Deployment



Specifications

Depth

Accuracy	$\pm 0.01\%$ Full Scale
Resolution	0.001% Full Scale
Range	10, 30, 50, 100, 300, 400 or 600 Bar
Type	Temperature Compensated Piezo-Resistive

Communications & Power

Digital	RS232 & RS485
Protocol	300 to 115,200 baud
Data	Continuous or on demand
Data rate	Up to 100Hz
Input voltage	7 to 32V DC

Power (No Altitude)	<30mA @ 24V DC
Heading*	
Accuracy	± 0.5° of Local Magnetic North
Resolution	0.1°
Pitch & Roll*	
Pitch	± 90°
Roll	± 180°
Accuracy	0.2° RMS
Resolution	0.1°
Temperature	
Accuracy	0.1 °C
Resolution	0.001 °C
Physical	
Weight (Air / Fresh Water)	0.42/0.28kg (Titanium) 0.20/0.10kg (Acetal)
Depth Rating	6,000m (Titanium) 500m (Acetal)
Temperature	-5 to 25° Calibrated -10 to 60° Operation -20 to 70° Storage
Connector	Subconn MCBH8M-SS other options available

Specifications subject to change in line with product enhancements.

* Option