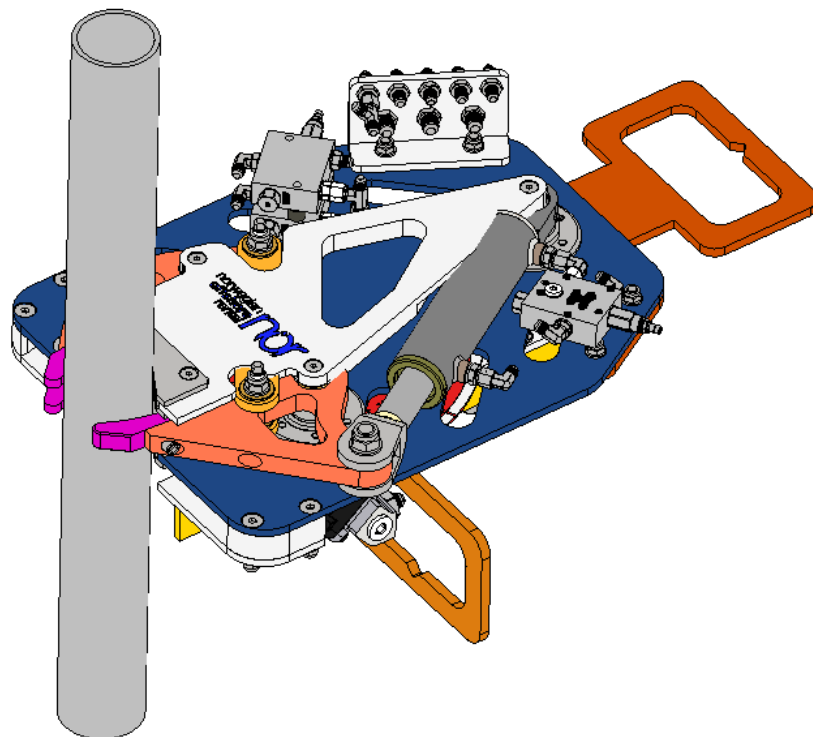


NOR Saw 30-120 mm



The equipment is constructed to cut pipes under water. It is attached to an ROV and operated with hydraulics. The saw is held in place during operation by built-in clamps and contains a rotating blade that is fed into the workpiece.

Specifications

Weight in air 81 kg complete assembly

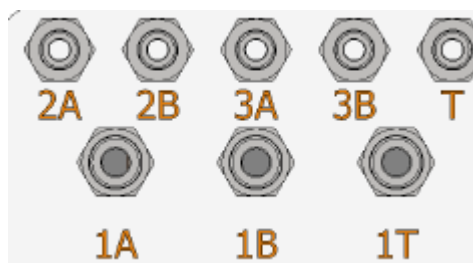
Cutting diameters

	Min	Max
Ø 400mm blade	30 mm	120 mm

Hydraulics input connections (ROV/Tool interface)

	Connection
Feed motor	JIC 9/16"
Clamp cylinder	JIC 9/16"
Blade rotation motor	JIC 3/4"

1A	Blade rotation motor
1B	Blade rotation motor
1T	Return blade rotation motor
T	Return feed motor and clamp
2A	Clamp cylinder negative
2B	Clamp cylinder positive
3A	Feed motor
3B	Feed motor



Feed motor

Work-pressure pre-set	10 bar
Max pressure	40 bar
Flow max	40 l/min
Transfer gear ratio	20:1
Displacement rotation	M20 x 2.5 (2.5mm pr rotation)

Blade rotation motor

Work-pressure	200 bar
Max pressure	400 bar
Flow min	46 l/min
Flow max	100 l/min
Connection type	Drain 1/2" BSP A/B 3/4" BSP

Clamp Cylinder

Work-pressure pre-set	110 bar
Max pressure	110 bar
Flow max	40 l/min