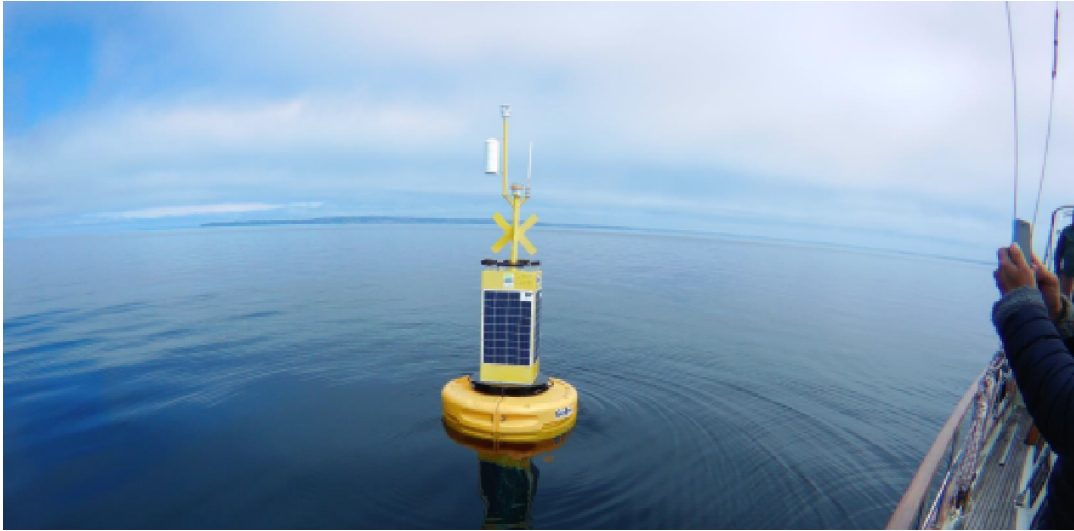


# 1.9m Fulmar Metocean Buoy



## Features

OSIL's Fulmar Data Buoy is a versatile instrumentation platform ideally suited for collection and measurement of oceanographic, meteorological (Metocean) and water quality data parameters, and is completely adaptable to any applications' needs.

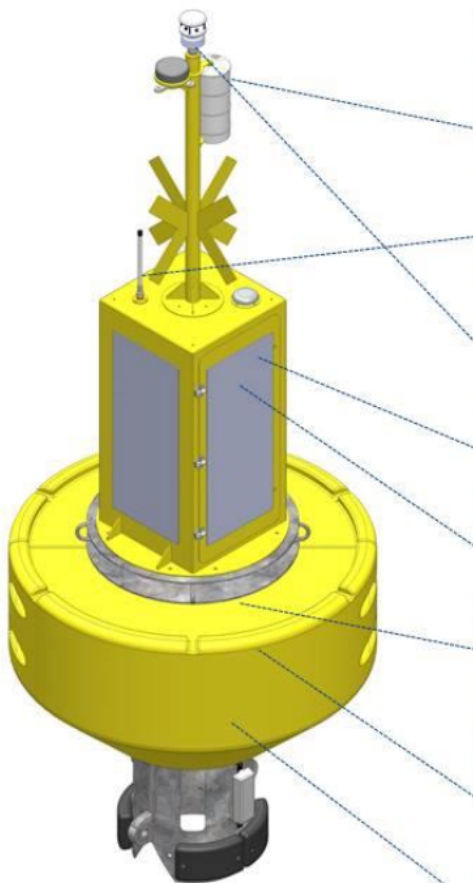
The system is supplied with a range of sensors that can be specified by the customer. All buoys are fitted with solar panels, navigation/warning lights and other markings as necessary. A range of telemetry options are available (UHF/VHF, GSM, GPRS, Satellite), selected to suit both the location and application requirements. OSIL provides a complete data telemetry solution, including either desktop or web-based software packages to access the data.

Instrumentation can be deployed anywhere from near the surface to the seabed. The buoys can be moored in a fixed position with either single point, dual point or compliant mooring (where required).

## Specifications

All buoys are fitted with four 70W solar panels, battery backup, navigation/warning lights (IALA Standard Lamp) and other markings as necessary (St Andrews cross, Internal Radar Reflector etc.).

A range of telemetry options are available (UHF/VHF, GSM, GPRS, Satellite), selected to suit both the location and application requirements. OSIL provides a complete data telemetry solution, including either desktop or web-based software packages to access the data.



	<p><b>Hull Specifications</b> 1.9m diameter, 3.1m focal plane, 960kg weight, ~1000kg reserve buoyancy (after payload), ballast weight 240kg</p>
	<p><b>Aids To Navigation</b> Radar reflector, IALA standard lanterns, AIS transponder, On-station GPS trackers with watch circle alarms</p>
	<p><b>Telemetry Options</b> GPRS/GSM, AIS, VHF/UHF radio, Iridium</p>
	<p><b>Meteorological Measurements</b> Wind speed/direction, atmospheric pressure, air temperature &amp; humidity, solar radiation, precipitation</p>
	<p><b>Real-Time Data Delivery</b> OSIL data solutions, hosted services, direct to server &amp; email</p>
	<p><b>Oil Spill Detector</b> Non-contact optical hydrocarbon sensor for surface spills, submersible hydrocarbon sensor</p>
	<p><b>Water Quality Sensors</b> Dissolved Oxygen, pH, Temperature, Conductivity, Salinity, Turbidity, Chlorophyll &amp; Blue-Green Algae</p>
	<p><b>Wave Measurements</b> Wave direction, height &amp; period, external or internal compass</p>
	<p><b>Current Speed &amp; Direction</b> High resolution current speed, direction &amp; turbulence data</p>

Other sensors are available on request