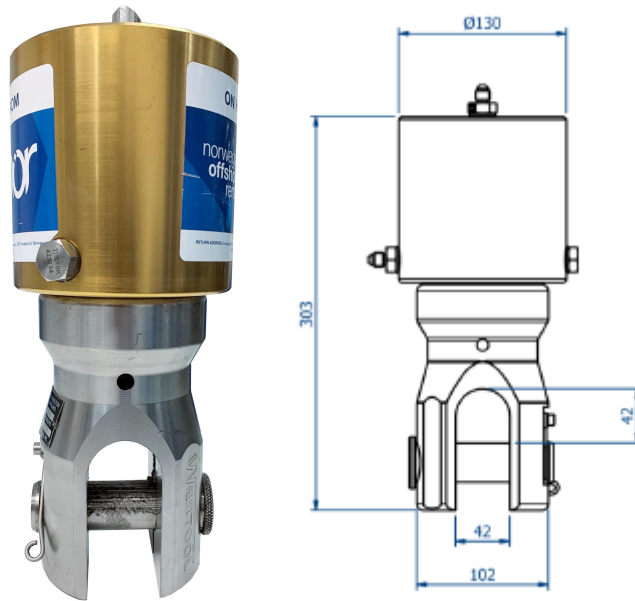


Webtool Wire Rope Cutter

WCS38DLP



The Webtool Wire Rope Cutter can cut rope and cables with large diameters in hostile environments and under harsh conditions.

Key Features

- Designed to cut wire up to 38mm diameter
- Closed jaw design
- Low pressure cylinder removes the need for intensifier panel
- Can be used at any water depth

Specifications

Input pressure	220 bar maximum input pressure
Approx. weight in air/water	16.5 kg / 14 kg
Swept volume cut stroke	0.5 litres
Swept volume return stroke	0.4 litres

Capabilities

Wire rope size	13mm	19mm	25mm	32mm	38mm
Wire rope grade N/mm ²	2160	2160	2060	1960	1770