

OCEANSENSE™

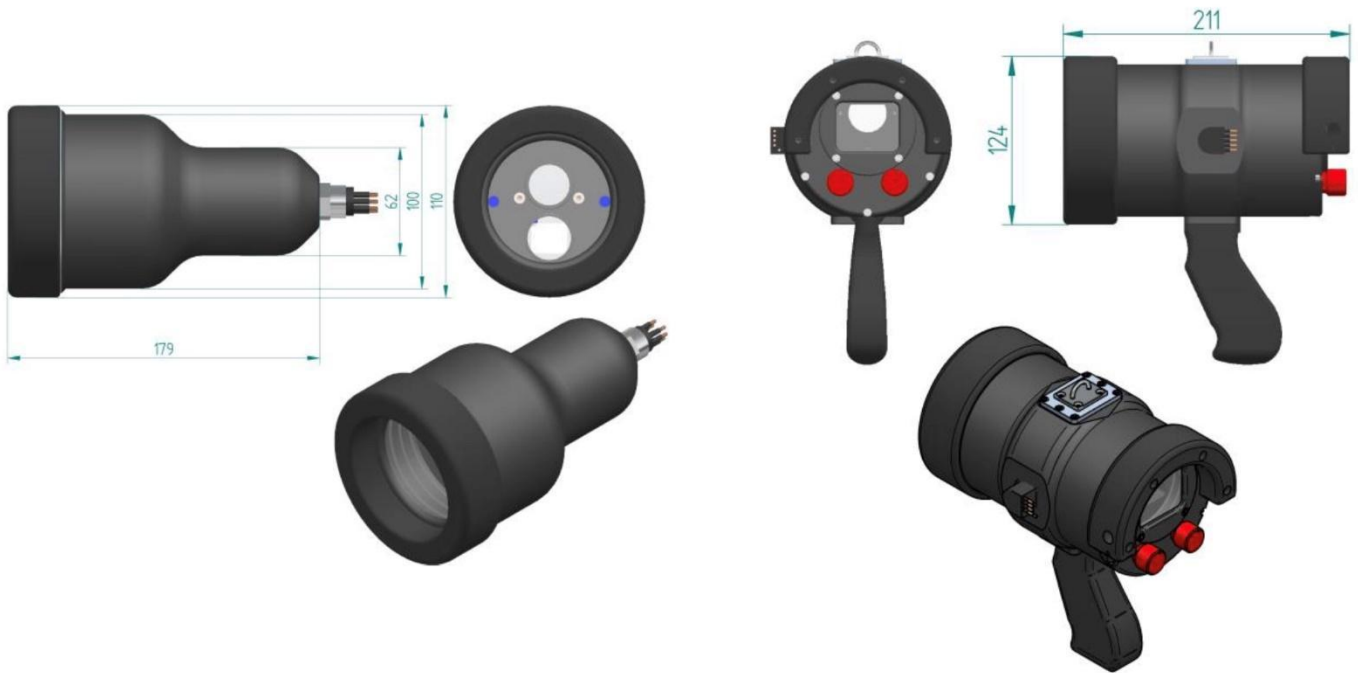
Underwater leak detection system



The industry standard OTAQ OceanSENSE™ Leak & Cement Detection System has been field proven on hundreds of offshore jobs in the harshest of environments achieving a detection success rate of close to 100%. With the dual applications of detecting leaks from subsea oil and gas infrastructure and confirming cement returns during subsea cementing operations, OceanSENSE™ is proven to reduce vessel time and save money.

OceanSENSE™ emits high intensity light at a wavelength specific to the fluorescing dye under detection. The agitated dye emits light at a different wavelength which is detected by OceanSENSE™. The system multiplies this light many thousands of times before analysis and presentation of the data. OceanSENSE™ has a detection capability approximately 50 times that of the human eye and conventional 'black-light' detection system.

Technology	High sensitivity fluorosensor that detects minute amounts of fluorescing dyes in water, generating software based results.
Market	Offshore Oil & Gas; Construction & Commissioning, Production & Decommissioning
Applications	<ul style="list-style-type: none"> Leak Detection; locating leaks in hydraulic control systems, flowlines, risers and subsea Infrastructure Commissioning; confirms structural integrity of spool tie ins and subsea structures. Cement Detection; confirming cement returns at seafloor when forming new wells. Decommissioning; cement returns during plug and abandonment.
Detects	<ul style="list-style-type: none"> Fluorescing trace dyes including Roemex RX-9022 and B275 Hydraulic fluids including Transaqua HT2, Pelagic 100 & 100 Pink UV Dyes including Roemex RX-9026E and Champion Clear Dye Dye Sticks such as Roemex RX-9034A Hydrotest cocktail fluids such as Roemex RX-5255 Hydrocarbons Please contact us for a full list of detectable dyes
Notes	<ul style="list-style-type: none"> Deployed globally on over 1000 projects for over 50,000 days with near 100% success rate Detects presence of dye far below industry standard dye concentration level Advanced technology removes human judgement enabling repeatability of results Protects the environment and reduces offshore operational costs Classed as a 'bright light' system, ROV's lights do not have to be turned off during detection making e whole operation significantly safer



OceanSENSE ROV

OceanSENSE Diver

Model	OceanSENSE ROV 3K	OceanSENSE ROV 6k	OceanSENSE Diver
Max detect range	Up to 15 m		
Material	Anodised aluminium	Titanium	Anodised aluminium
Depth rating	3000 m	6000 m	200 m
Weight in air/water	1.9 kg/0.97 kg	3.8 kg/2.7 kg	3.5 kg /1.8 kg
Voltage	18-32 VDC		
Power requirements	500mA @24vDC		
Data	RS232 / RS485		
Connector	MCBH8M wet mate		
Interface	Oceansense App supplied on fully configured laptop		On board display
Part no	OS-200100	OS-200105	OS-200110