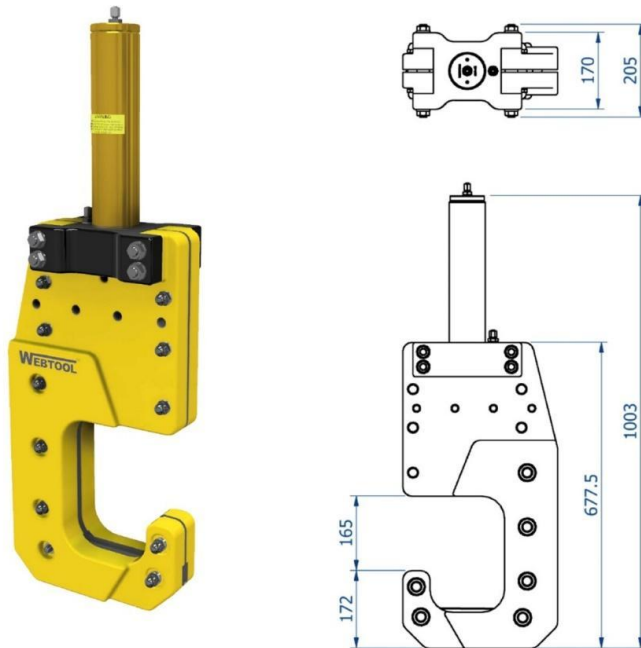


Webtool Softline Cutter

SL165



Key Features

- Hydraulically operated soft and fibre line cutting tool
- Lightweight aluminium and stainless-steel construction
- Diver or ROV operable design
- Quick and efficient operation
- Long blade life ensures that tool maintenance is kept to a minimum
- Can be used at any water depth

Specifications

Cutting capacity - Maximum	Ø165 mm
Maximum operating pressure	690 bar
Approx. weight in air	54 kg
Approx. weight in water	36.5 kg
Swept volume cut stroke	0.51 litres
Swept volume return stroke	0.35 litres