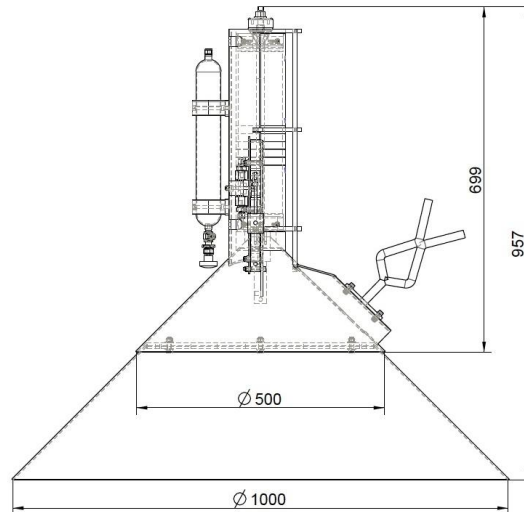


# Gas/Liquid Sampler



The Gas/Liquid Sampler is designed to measure gas/liquid flow and bring back samples from a subsea leakage. The lower part of the funnel can be separated from the gas sampler, in order to get better access in confined spaces. It was also designed to be operated by a work class ROV.

## ROV Requirements

Water Depth	3000 m
Max Pressure	200 bar
Typical Pressure	50 bar