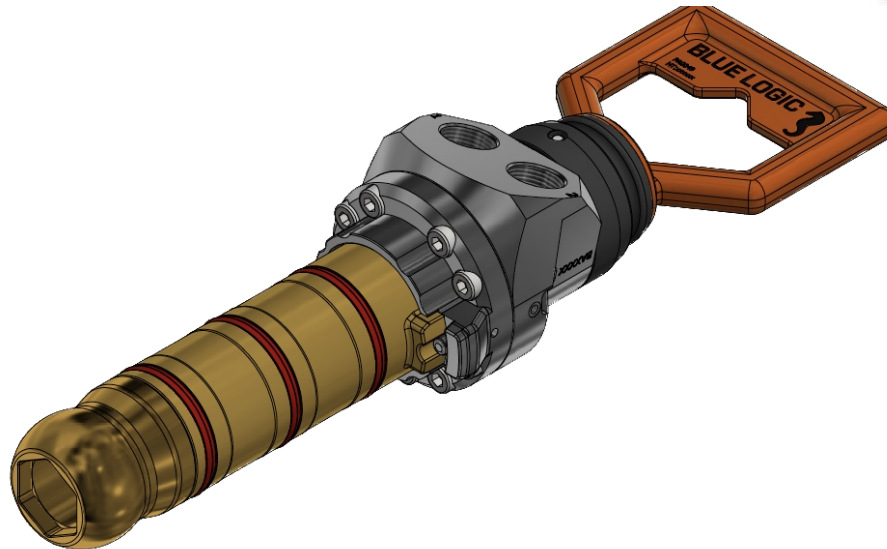


Ø60 2-Port Valve Stab System



Combining hot stab and ball valve technologies in one quick-connector. Connect and disconnect with no fluid spill or water ingress.

Specifications

Design Standard	API 6A , ISO 10423 , NE-EN 13445
Stab Diameter	Ø60 mm
Depth Rating	3000 m
Max Flow	Up to 400 l/min
Pressure Drop, Typical	15 bar @300 l/min

Specific Product Data	Ø60 SP VStab, BA1389	Ø60 DP VStab, BA8490	Ø60 TP VStab, BA1135
Hydraulic Bore	Ø19 mm	Ø13 mm	1 x Ø10, 2 x Ø14 mm
Weight VStab, air/water	5,5 / 4,7 kg	8,3 / 7,1 kg	9,3 / 8,0 kg
Weight Receptacle, air/water	10,1 / 8,8 kg	14,6 / 12,7 kg	8,8 / 6,8 kg
Working Pressure	345 Bar / 5 000 Psi	345 Bar / 5 000 Psi	250 bar / 3 600 Psi
Hydraulic Interface	1 x ¾" NPT	2 x ¾" BSP	2 x ¾" BSP, 1 x ½" BSP