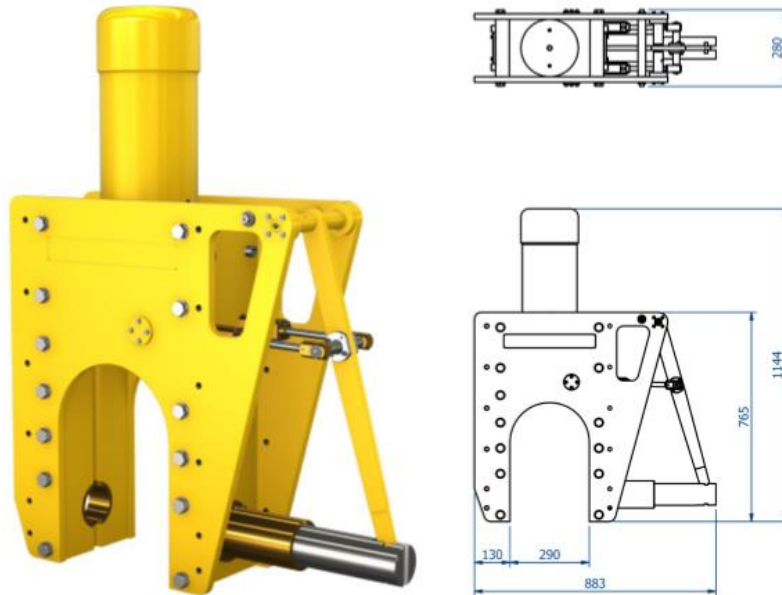


Webtool Cable Cutter

HCV270



The Webtool Cable Cutter cuts large diameter cables, umbilicals and risers in the most hostile environments.

Key Features

- Proven design
- Designed to cut umbilicals up to $\varnothing 270$ mm diameter
- Hydraulically operated anvil for easy ROV deployment
- Optional intensifier available

Main Body

Weight	352kg
Dimensions	883 cm x 114 cm

Specifications

Cutting Diameter	270mm
Input pressure main cylinder	Max 690 bar
Input pressure anvil	Max 210 bar