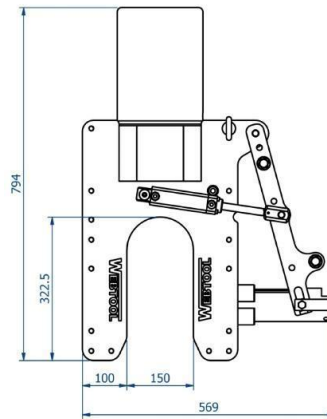
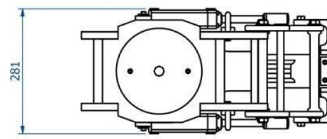


WEBTOOL Wire Cutter

RCV135

nor Offshore
Rental



The WEBTOOL Wire Cutter can cut rope and cables with large diameters in hostile environments and under harsh conditions.

Key Features

Designed to cut wire rope up to 135mm diameter
Hydraulically operated anvil for easy ROV deployment
Optional intensifier available

Main Body

| | |
|------------------------------|-------------|
| Weight in Air | 176 kg |
| Input pressure main cylinder | Max 690 bar |
| Input pressure anvil | Max 210 bar |

Capabilities

| | | | | | | |
|-----------------------------------|------|------|------|-------|-------|-------|
| Wire rope size | 51mm | 64mm | 76mm | 102mm | 115mm | 127mm |
| Wire rope grade N/mm ² | 2160 | 2160 | 2160 | 1960 | 1770 | 1770 |