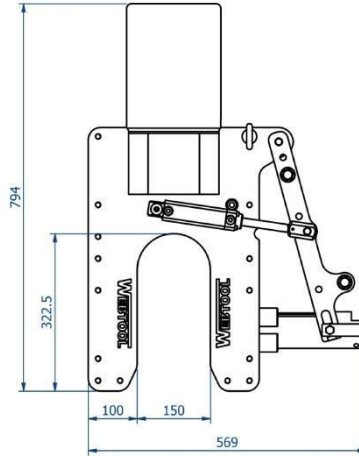
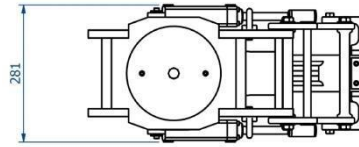


WEBTOOL Wire Cutter

RCV135



The WEBTOOL Wire Cutter can cut rope and cables with large diameters in hostile environments and under harsh conditions.

Key Features

- Designed to cut wire rope up to 135mm diameter
- Hydraulically operated anvil for easy ROV deployment
- Optional intensifier available

Main Body

Weight in Air	176 kg
Input pressure main cylinder	Max 690 bar
Input pressure anvil	Max 210 bar

Capabilities

Wire rope size	51mm	64mm	76mm	102mm	115mm	127mm
Wire rope grade N/mm ²	2160	2160	2160	1960	1770	1770