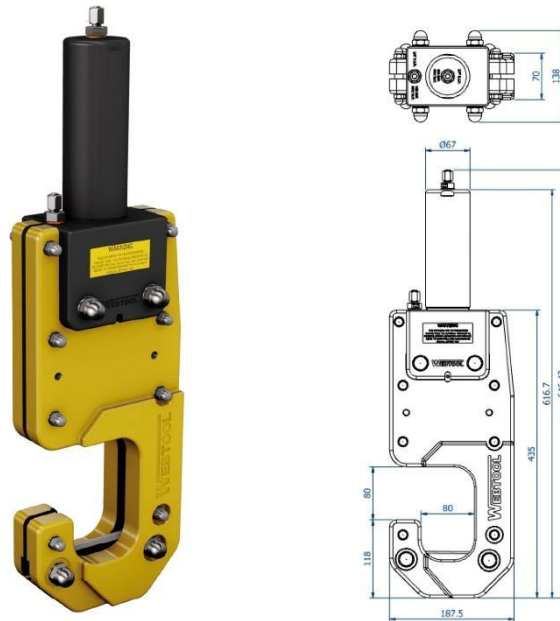


# Webtool Softline Cutter

SL80



## Key Features

Heavy duty hydraulically operated soft and fibre line cutting tool

Lightweight aluminium and stainless-steel construction

Diver or ROV operable design

Quick and efficient operation

Long blade life ensures that tool maintenance is kept to a minimum

Can be used at any water depth

Standard tool is shown above. Bespoke and custom designs to suit special applications are available on request

## Specifications

Cutting capacity - Maximum	Ø80 mm
Maximum operating pressure	690 bar
Approx. weight in air	15 kg
Approx. weight in water	10.5 kg
Swept volume cut stroke	0.15 litres

Swept volume return stroke

0.1 litres