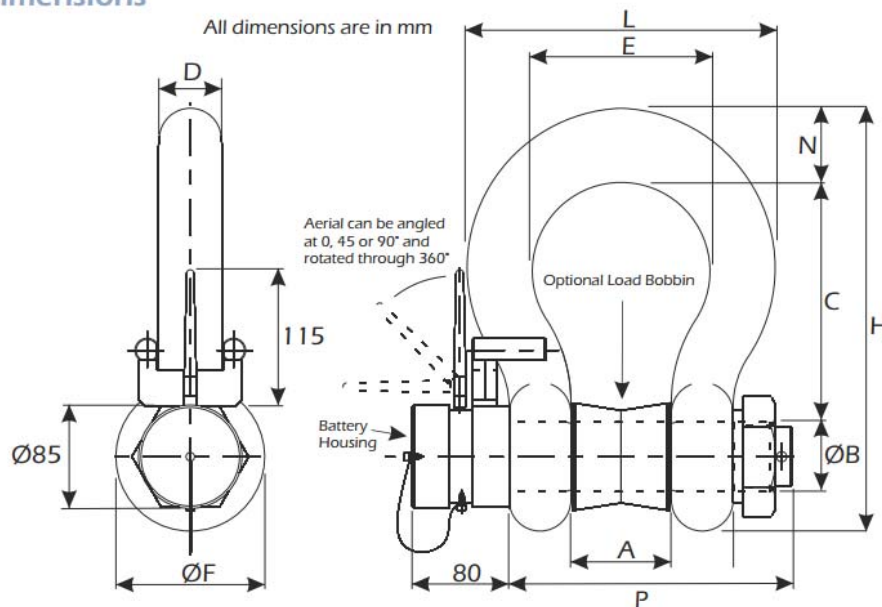


Load Shackles - Wireless

The TELSHACK-B range of telemetry load shackles are manufactured using the Crosby™ G2130 (12 to 25 tonne) and G2140 (40 to 400 tonne) shackles. Versions are also available using the popular GreenPin™ range of shackles. The build in radio telemetry electronics operates on the 2.4GHz license free frequency. The telemetry housing is manufactured from stainless steel, offering a robust solution. Located in the housing are two AAA NiMh batteries, which can be accessed by removing the telemetry housing cover. No tools are required, making it easy to do on site. The batteries can be recharged using the universal charger supplied. In emergencies (when you do not have time to recharge the batteries), standard alkaline batteries can also be used. There is an external sealed aerial, which can be rotated to offer the best signal polarity and hence the best transmission range, making it more versatile for different applications. The TELSHACK-B is also supplied as standard with a handheld battery powered display, or alternatively, for multi-shackle applications, a single display can address up to 12 shackles for individual monitoring, or for summation/balancing applications.



Dimensions



Rating (tonnes)	A	ØB	C	D	E	ØF	H	L	N	P	Weight (kgs)	Resolution (tonnes)
12	51.5	35.1	119	31.8	82.5	76	210	146	35.1	171	8	0.01
17	60.5	41.4	146	38.1	98.5	92	254	175	41.1	201	12	0.02
25	73	51	178	44.5	127	106	313	225	57	236	18	0.02
40	73.2	50.8	178	46.7	127	106	313	224	57.2	236	18	0.05
55	82.6	57.2	197	52.8	146	122	347	258	61	269	25	0.05
85	105	69.9	267	68.8	184	148	455	324	79.2	351	45	0.1
120	127	82.6	330	79.2	200	165	546	371	92.2	387	85	0.1
150	133	95.3	372	95.3	229	203	632	432	105	448	125	0.1
200	184	121	386	95.3	279	267	706	529	127	580	215	0.2
300	213	152	470	127	330	330	871	629	154	610	364	0.2
400	225	175	680	165	325	350	1078	655	165	700	560	0.5