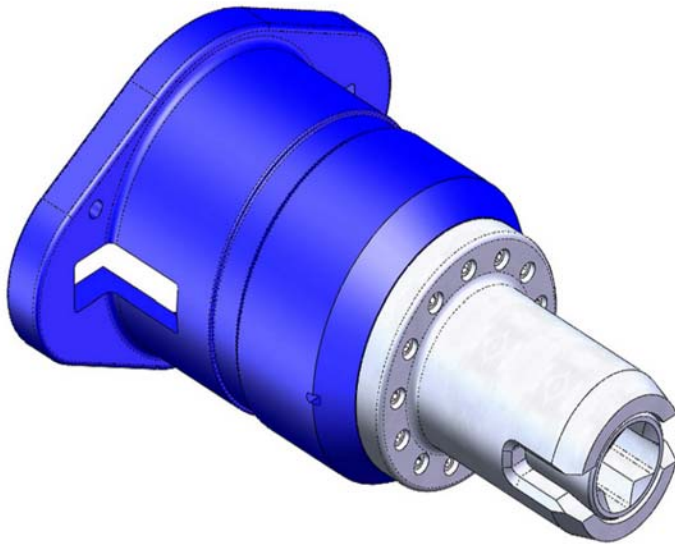


17D (Female) TO 17H (Male) Torque Tool Adapter Torque Tool Accessories.



DESCRIPTION

The adaptor is used to convert from ISO 13628-8 Class 4 (API 17D) to API 17H High Torque interface. Shear pins are supplied with the tool to protect the high torque interface from over torque.

FEATURES

ISO 13628-8 Class 4 Female Bucket

API 17H Male interface 35mm AF square

Max Torque 2,700 Nm (2,000 ft lbs)

Supplied with 900Nm and 2,700Nm Shear Pin

Supplied in offshore suitable transit case

17D (Female) TO 17H (Male) Torque Tool Adapter

Torque Tool Accessories.

SPECIFICATIONS

Female Interface:	ISO 13628-8 fig 18 Class 1-4
Male Interface	ISO 13628-8 Fig 14 High Torque
Maximum Torque:	2,700Nm (2,000ft lbs)
Weight in air/water:	14/10kg

WHAT'S IN THE BOX

Adaptor
Shear Pins

PART NUMBERS & OPTIONS

A019-959-450	17D (Female) TO 17H (Male) Torque Tool Adapter
A019-958-152/02	Surface Verification Unit
A019-958-174	High Torque Tool Adaptor for Verification Unit (Includes adaptor and 35mm AF Square Shaft)

