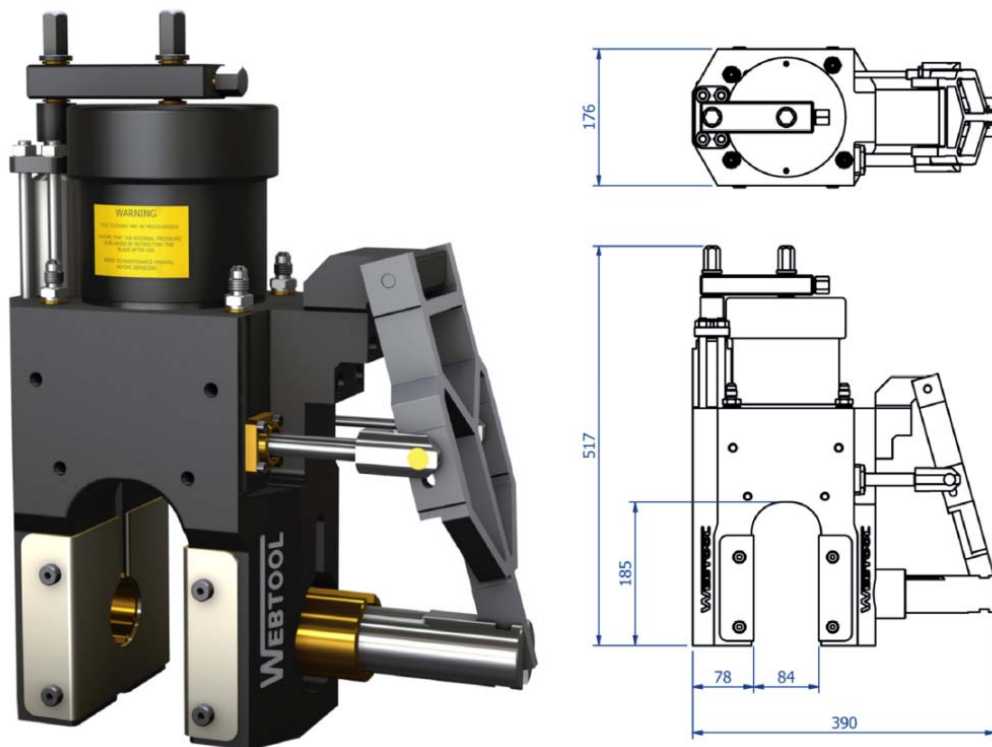


WEBTOOL wire cutter

- RCV75HD

Cutting large diameter wire rope and cable in the most hostile environments, under the toughest of conditions and the most demanding of circumstances requires something special.



Main features:

- Proven design.
- Designed to cut wire rope up to 75mm diameter.
- Hydraulically operated anvil for easy ROV deployment.
- Integrated interlock ensures that the blade cannot activate until anvil is fully deployed.
- Integrated hydraulic intensifier and internal relief valve.

| | |
|----------------|-------------|
| Wire diameter: | 75mm |
| Weight: | 43kg |
| Input pressure | Max 210 bar |