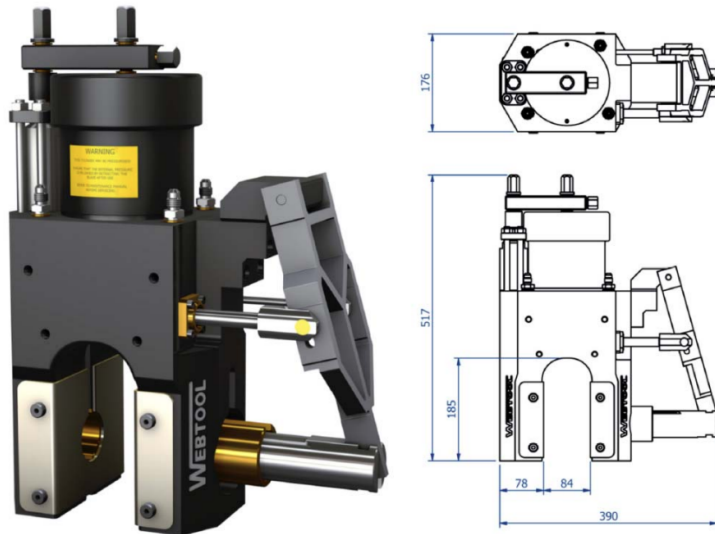


WEBTOOL

Wire Rope Cutter 75mm



The Webtool Wire Rope Cutter RCV75HD is a heavy duty wire rope cutter designed for use in severe working conditions. The cutting capacity is max $\varnothing 75\text{mm}$ wire rope of 1960N/mm^2 grade. The RCV75HD wire cutter has a hydraulically operated anvil for easy ROV deployment and a lightweight aluminium construction. Integrated in the cutter is an intensifier and internal relief valve. The RCV75HD is suitable for cutting wire rope, cables and umbilicals.

Key Features

- Proven design
- Designed to cut wire rope up to 75mm diameter
- Hydraulically operated anvil for easy ROV deployment
- Integrated interlock ensures that the blade cannot activate until anvil is fully deployed
- Integrated hydraulic intensifier and internal relief valve.

Specifications

Wire Diameter	75 mm
Dimensions	W 390 mm x H 517 mm
Weight in Air	43 kg
Input Pressure	Max 210 bar

Capabilities

Wire Rope Size	38 mm	45 mm	51 mm	64 mm	76mm
Wire Rope Grade N/mm ²	2160	2160	2160	2160	1960