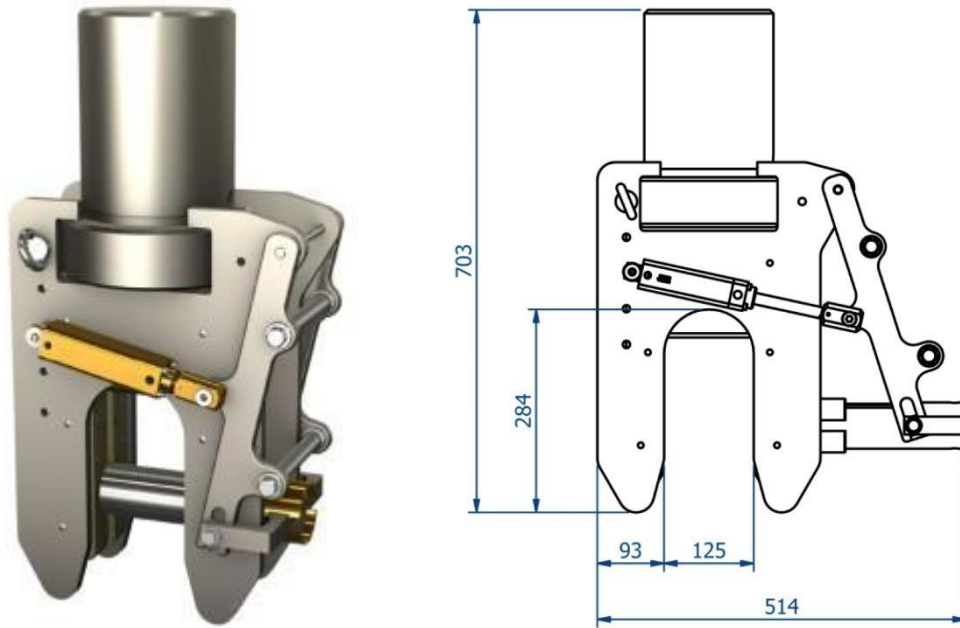


WEBTOOL Wire Cutter

RCV115



The WEBTOOL Wire Cutter can cut rope and cables with large diameters in hostile environments and under harsh conditions.

Key Features

Designed to cut wire rope up to 115mm diameter
Hydraulically operated anvil for easy ROV deployment
Optional intensifier available

Main Body

Input pressure main cylinder Max 690 bar

Input pressure anvil Max 210 bar

Capabilities

Wire rope size	38mm	45mm	51mm	64mm	76mm	102mm	115mm
Wire rope grade N/mm ²	2160	2160	2160	2160	2160	1960	1770