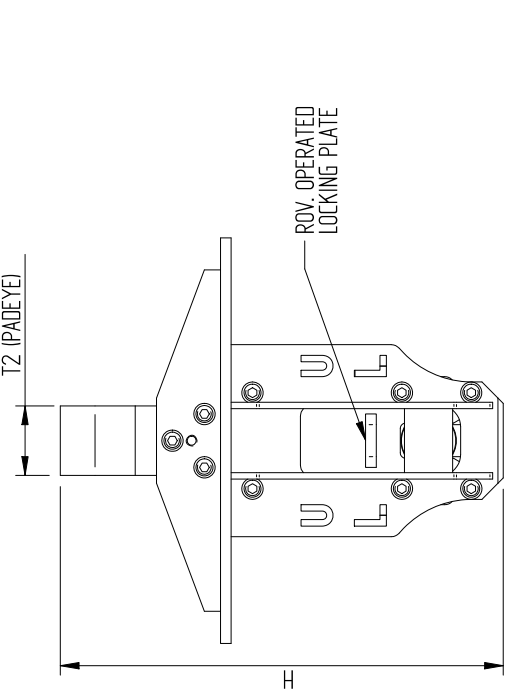
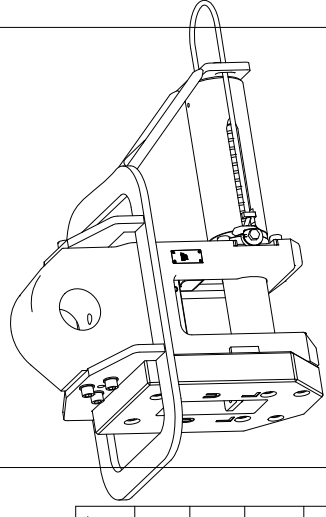


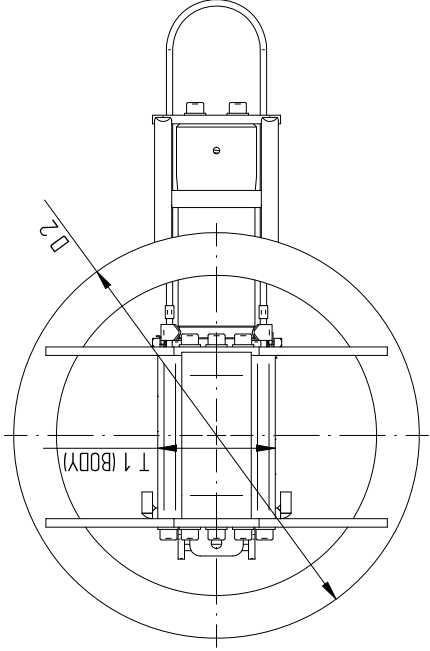
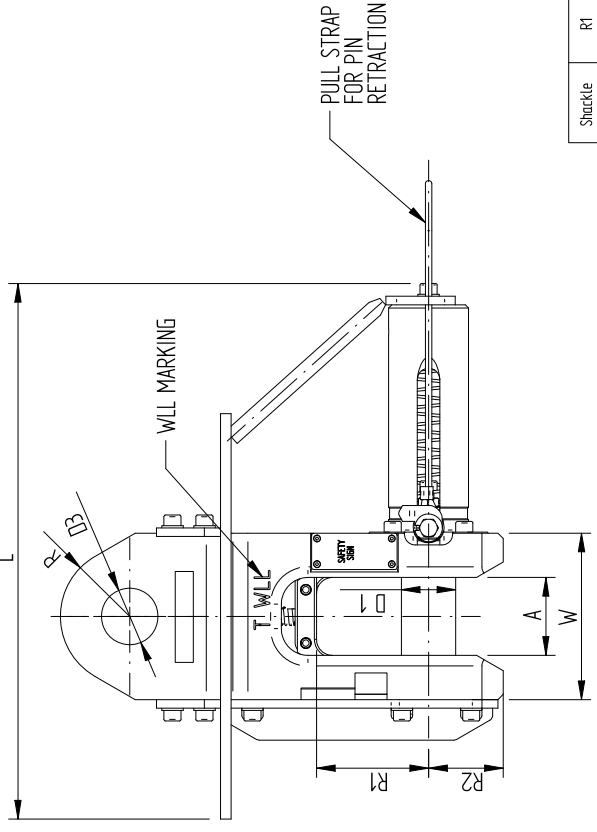
DO NOT SCALE IF IN DOUBT ASK



TYPICAL ARRANGEMENT
ROV SHACKLES 6.5TE TO 85TE



TYPICAL ARRANGEMENT
ROV SHACKLES 120TE (+)



Shackle size (WLL)	R1 (mm)	R2 (mm)	Pin Dia D1 (mm)	Inside width A (mm)	Grad. Ring Dia. D2 (mm)	Body Dim. (mm)			Top Padeye (mm)			O/A Length L (mm)	Dry Weight (kg)
						W	T1	H	T2	D3	R		
6.5 T	51	35.1	25.4	36.6	270	75	60	230	32	26.5	40	325	12
12 T	80	50	35.1	50	300	102	80	300	45	36	50	375	18
17 T	90	60	41.4	60.5	340	125	90	350	52	42.5	55	420	30
25 T	115	70	51	73	380	156	110	415	65	53	65	502	44
35 T	115	70	57	83	380	172	115	428	70	59	71	556	52
55 T	130	85	70	105	420	205	135	485	95	72	85	644	82
85 T	155	95	83	127	550	250	160	565	115	85	105	793	145
120 T	193	130	95.5	145	510x775	310	200	745	145	98	130	1050	380
150 T	195	135	108	165	510x775	325	210	755	150	110	130	1080	410

Project Name:
Client:



Drawn by	Checked by	Agency	Def. Agency
Date	Date	Date	Date
Sheet Size	Drawing Scale	Vector Drawing No.	Tag No.
A1	NTS		
Title			See table
ROV OPERATED SHACKLES			

OUTLINE DRAWING			
Reference	Job No.	Project No.	Sheet
	20843	1-1584	1 OF 1
imenco CAD REF: 1-1584-ROV SHACKLES STANDARD - Outline Zdrf			