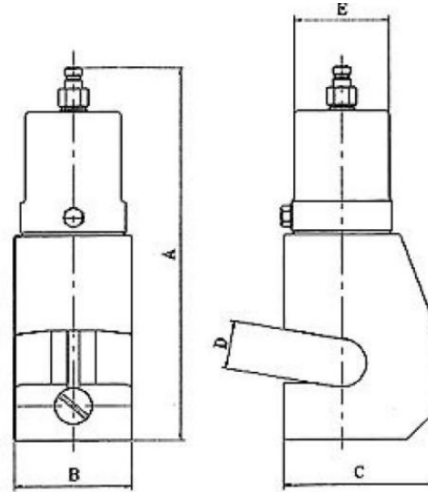


WEBTOOL Wire Rope Cutter 54 mm



The WEBTOOL wire rope cutter WCOS54(D) is designed for cutting large diameter wire rope up to 54mm diameter in the most hostile environments, under the toughest of conditions. The wire rope cutter has an open sided design to allow easy positioning of the cutter along a rope length, which is particularly useful when cutting in confined spaces. It is supplied with hydraulic return which ensures full retraction of the blade.

Key Features

- Proven design
- Designed to cut wire rope up to 54 mm diameter
- Open sided to allow easy positioning of the cutter along a rope length particularly useful when cutting in confined spaces.
- Hydraulic return

Specifications

Wire Diameter	54 mm
Dimensions (A - B - C - D - E)	710 mm - 125 mm - 165 mm - 55 mm - 107 mm
Weight	30 kg
Operating Pressure	700 bar
Swept Volume	375 cm ³

Capabilities

Wire Rope Size	32 mm	38mm	45mm	51mm
Wire Rope Grade N/mm ²	2160	1960	1960	1770