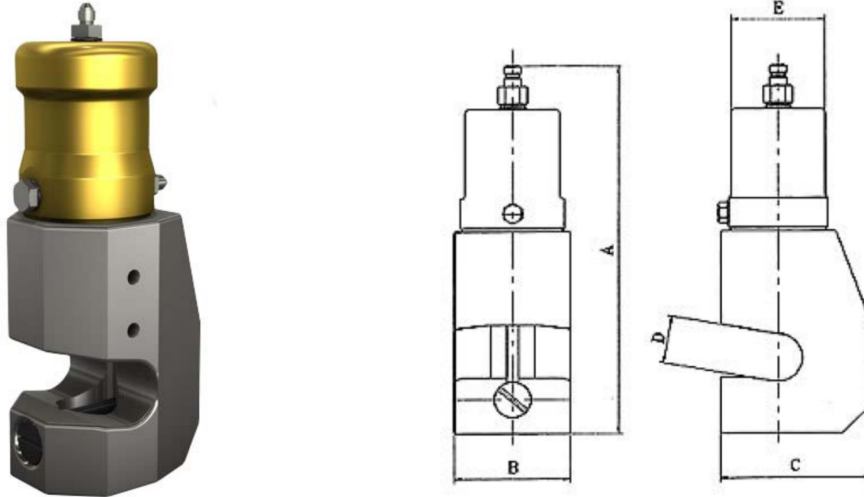


# WEBTOOL Wire Rope Cutter

## 38 mm



The WEBTOOL wire rope cutter WCOS38(D) is designed for cutting large diameter wire rope up to 38mm diameter in the most hostile environments, under the toughest of conditions. The wire rope cutter has an open sided design to allow easy positioning of the cutter along a rope length, which is particularly useful when cutting in confined spaces. It is supplied with hydraulic return ensuring full retraction of the blade.

### Key Features

- Proven design
- Designed to cut wire rope up to 38mm diameter
- Open sided to allow easy positioning of the cutter along a rope length particularly useful when cutting in confined spaces.
- Hydraulic return

### Specifications

Wire Diameter	38 mm
Dimensions (A - B - C - D - E)	325 mm - 100 mm - 130 mm - 42 mm - 82mm
Weight	20,5 kg
Operating Pressure	700 bar
Swept Volume	145 cm <sup>3</sup>

## Capabilities

Wire Rope Size	13 mm	19 mm	25 mm	32 mm	38mm
Wire Rope Grade N/mm <sup>2</sup>	2160	2160	2060	1960	1770