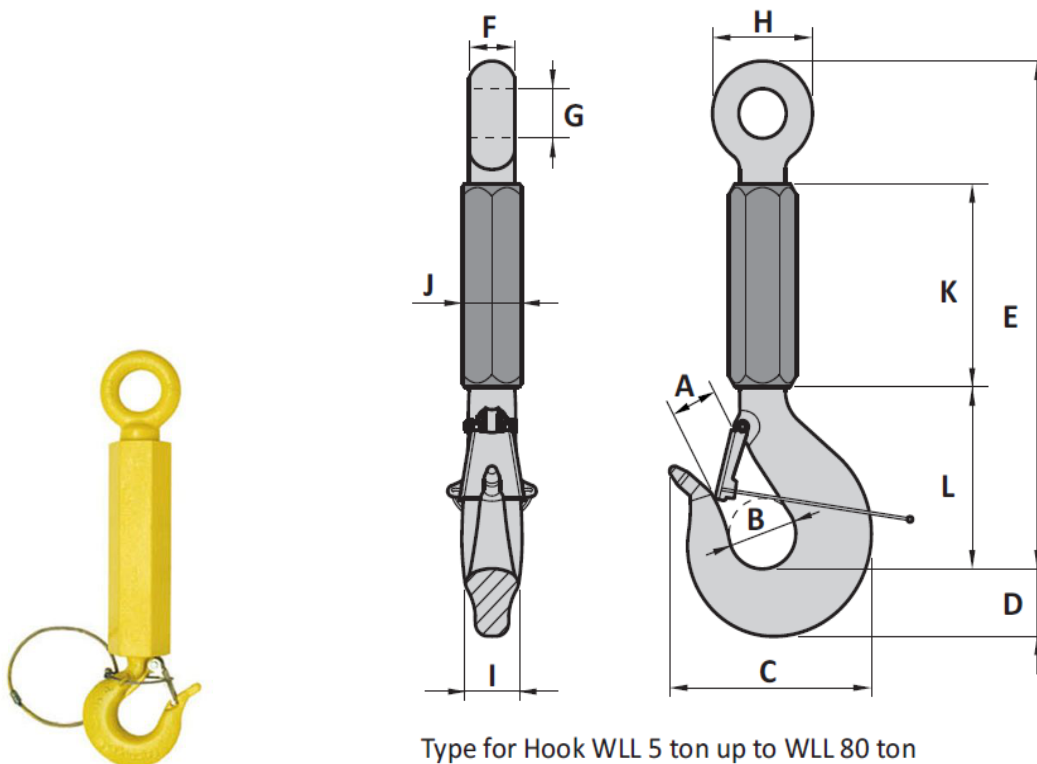


ROV SHANK HOOK

ROV operated shank hooks for efficient subsea lifting operations.

The ROV Shank Hooks are safe and reliable when performing subsea lifting operations. The hooks are made from quenched and tempered alloy steel and have a long hexagonal body for easy handling by ROV manipulators. The hooks are opened remotely by pulling the release wire. The safety factor is 4:1.



Type for Hook WLL 5 ton up to WLL 80 ton

| WLL ton | MBL ton | A mm | B mm | C mm | D mm | E mm | F mm | G mm | H mm | I mm | J mm | K mm | L mm | Weight kg |
|---------|---------|------|------|------|------|------|------|------|------|------|------|------|------|-----------|
| 5 | 20 | 35 | 50 | 161 | 40 | 515 | 34 | 31 | 68 | 32 | 45 | 250 | 150 | 6 |
| 12.5 | 50 | 40 | 63 | 200 | 58 | 565 | 45 | 40 | 90 | 45 | 60 | 260 | 180 | 11 |
| 16 | 64 | 45 | 70 | 224 | 67 | 610 | 48 | 44 | 102 | 53 | 60 | 280 | 190 | 16 |
| 25 | 100 | 50 | 80 | 248 | 75 | 650 | 56 | 52 | 105 | 60 | 70 | 270 | 230 | 21 |
| 32 | 128 | 60 | 90 | 288 | 85 | 800 | 65 | 60 | 140 | 67 | 80 | 360 | 265 | 34 |
| 40 | 160 | 70 | 100 | 316 | 95 | 820 | 70 | 70 | 150 | 75 | 85 | 330 | 285 | 42 |
| 50 | 200 | 75 | 112 | 343 | 106 | 850 | 75 | 72 | 160 | 85 | 100 | 350 | 285 | 54 |
| 63 | 252 | 85 | 125 | 376 | 118 | 900 | 85 | 85 | 180 | 95 | 110 | 360 | 322 | 74 |
| 80 | 320 | 100 | 140 | 418 | 132 | 950 | 100 | 85 | 210 | 106 | 120 | 290 | 390 | 104 |