

Imenco Guidewire Anchor

- Lifting Type

ROV operated anchor for efficient subsea connection of guidewires.

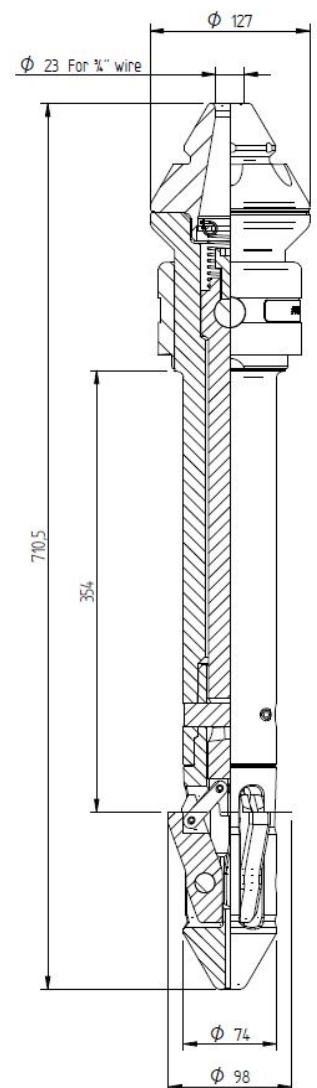
The IMENCO guidewire anchors have been manufactured and used for close to 24 years and is known in the subsea market for its ease of use and dependability. Easily installed and released by ROV. The Guide Wire Anchor is built from high strength stainless steel and is hence very durable and dependable.



Main features:

- Specially developed for lifting operations.
- Three locking dogs for increased capacity.
- Proven and patented design. Widely used worldwide since 1988.
- Simple installation and release by ROV. No special tools needed.
- Fits standard API guidepost with 3" receptacle hole.
- Release and re-installation possible in same run.
- Supplied with full documentation and instructions.
- Special designs available on request.

Anchor stab diameter:	74mm
Overall length:	710mm
Standard socket wire diameter:	3/4"
Weight:	25kg
Available shear-pin capacity:	Solid steel pin
WLL:	5Te



Lifting anchor measurements shown on figure above.

imenco
smart solutions